

High temperature switches

DESCRIPTION:

Immersion type temperature switch with a hermetically sealed electrically isolated case capable of sustaining high shock and vibration levels. Operating temperature range of up to 260°C.

APPLICATION:

Exhaust gas temperature switch. Introduced as part of the intrinsically safe sensor circuit for the Chalwyn Series 110 and Series 210 automatic engine shut down control systems.

SETTING:

Three standard settings	Part Code
200°C ± 5.6°C	TSX-200
150°C ± 5.6°C	TSX-150
135°C ± 4.4°C	TSX-135

Tighter tolerance/alternative settings available by special order.

PRESSURE EXPOSURE UNIT:

100 bar maximum.

LEADS:

Permanently fitted "flying" leads 4m long as follows:-
 TSX-200; #18 stranded (Teflon, ceramic and glass composite insulation).
 TSX-135 & TSX-150; # 18 stranded UL 1199/CSA approved (TFE insulation).

CONTACTS:

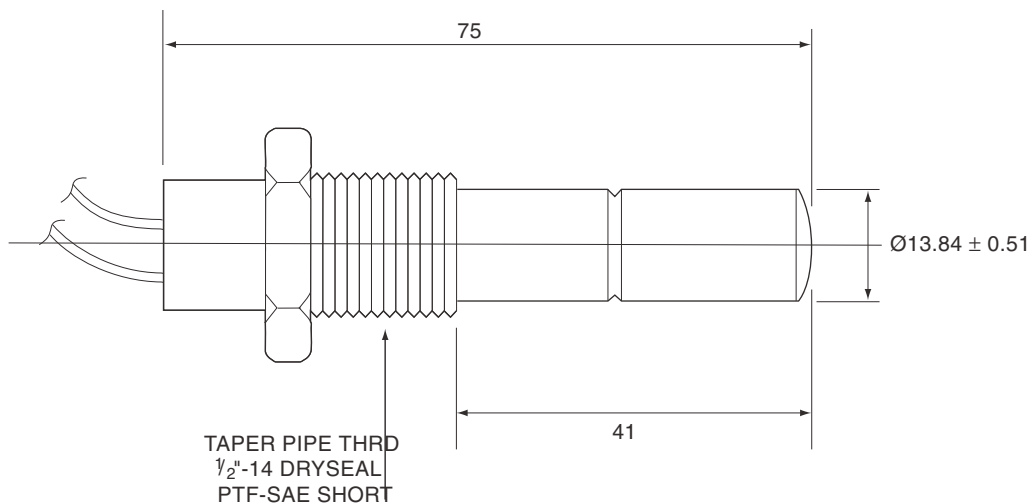
Fine silver

BODY MATERIAL:

Stainless steel.

INSULATION RESISTANCE:

60 MΩ at 500Vdc.



Chalwyn by AMOT

sales@chalwyn.co.uk
www.chalwyn.com

A division of Roper Industries Limited

Dimensions given in mm.

UK

Western Way
Bury St Edmunds
Suffolk, IP33 3SZ
Tel: +44 (0)1284 715739
Fax: +44 (0)1284 715747

USA

8824 Fallbrook Drive
Houston
TX77064
Tel: +1 (281) 940 1800
Fax: +1 (281) 668 8802

